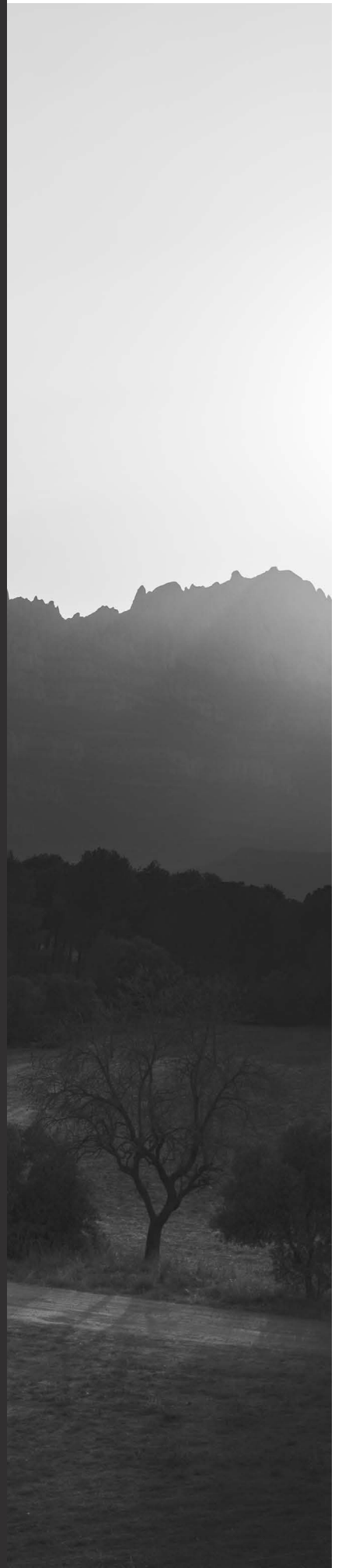


CONTEMPORARY
CERAMIC
SURFACES
&
SIGNATURE
SURFACES

JURA

Jura Stone in Ceramics

CONCEPT TILES



SURFACES TEXTURES ARCHITECTURE

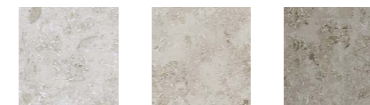
Jura

Jura Stone in Ceramics Piedra Jura en Cerámica

Jura is inspired by the protected stone of the Jura Mountains, a stone from marine deposits with numerous markings on its surface. Kendo depicts dark-coloured organic-shaped markings with an extraordinary richness of intensities and sizes. This unique collection is available in 3D.FIT®, a finish that shows its full potential thanks to the graphics of this tile.



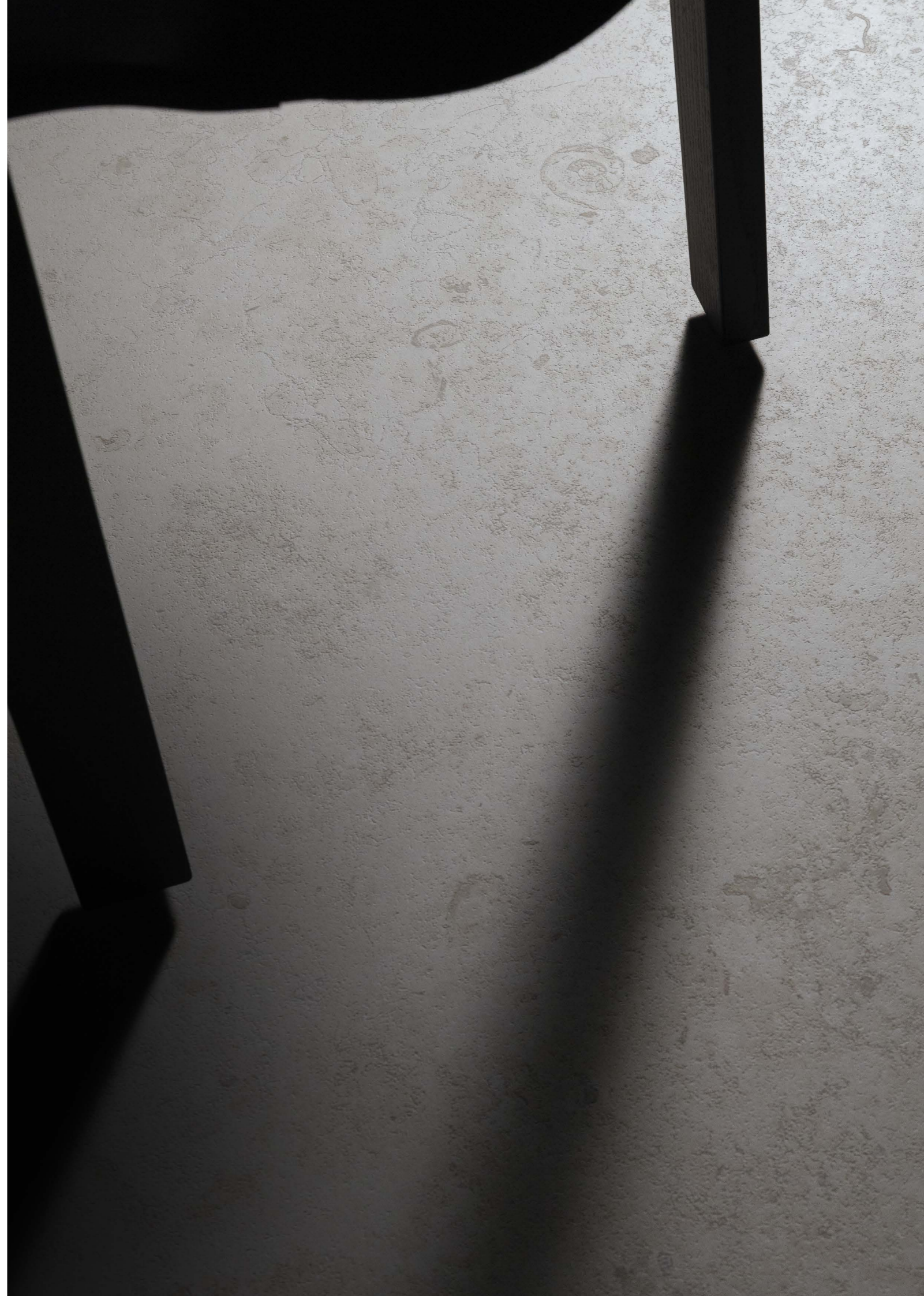
Jura Soft Textured 90x90
(36"x36") Composition



Jura Chromatic Range

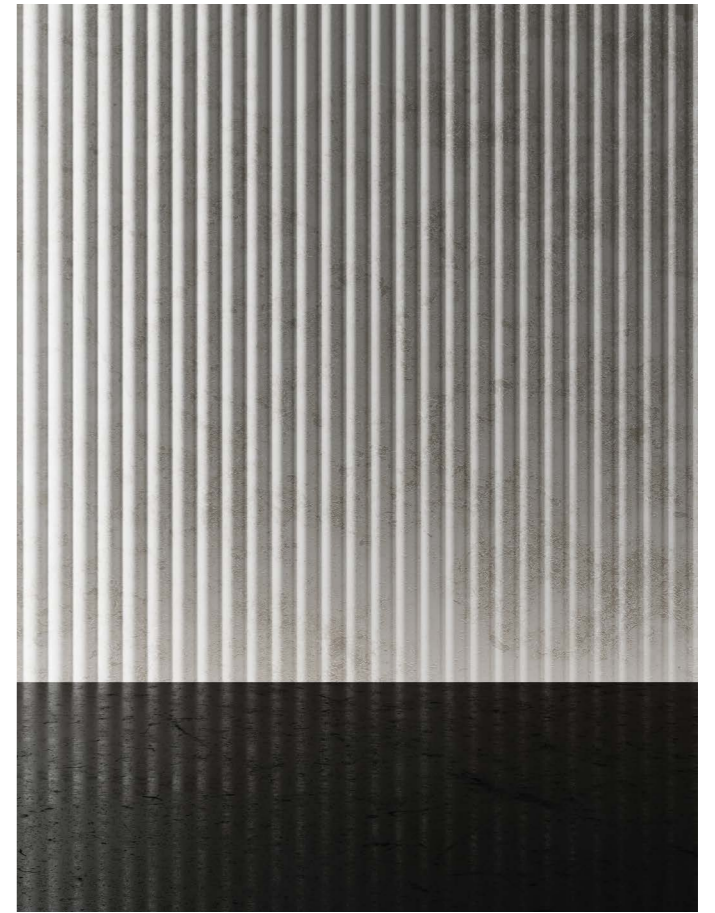


Jura Ice Soft Textured 120x270 cm. (48"x106")
& **Ductile Kendo Ice List** 60x120cm (24"x48")





Ductile
Jura Ice Loop
60x120cm (24"x48")



Ductile
Jura Ice Loop
60x120cm (24"x48")



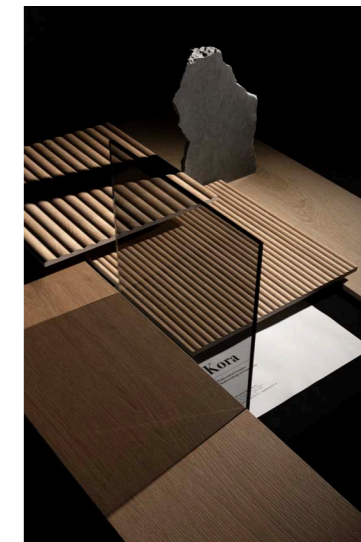
Ductile **Jura Ice Loop** Detail



Jura Light Soft Textured
120x270 cm. (48"x106")



Jura Light Honed
120x270 cm. (48"x106")



CONTEMPORARY CERAMIC SURFACES & SIGNATURE SURFACES

This catalogue expresses, through these pages, the balance between design and technology. The contemporary inspiration is supported by the detailed technical specifications that you will find below, to serve as a useful working tool for the professional on a daily basis.



Honed Finish Soft Textured Finish B.H. Finish B.H. Anti-Slip Finish

3D-Fit®
Technology

Color Body Porcelain & Ductile / Porcelánico Masa Coloreada y Ductile
Rectified / Destonified V.3 / Rectificado / Destonificado V.3
N° Designs By Format / N° De Diseños Por Formato :
120x270: 7 / D-90x270: 7 / D-60x120: 24 / 120x120: 14 / 60x120: 24 / 90x90: 16 / 45x90: 32 / 60x60: 48 / 30x60: 96

Jura Ice
Soft Textured Finish
Escala 1/4

Available Colours / Colores Disponibles

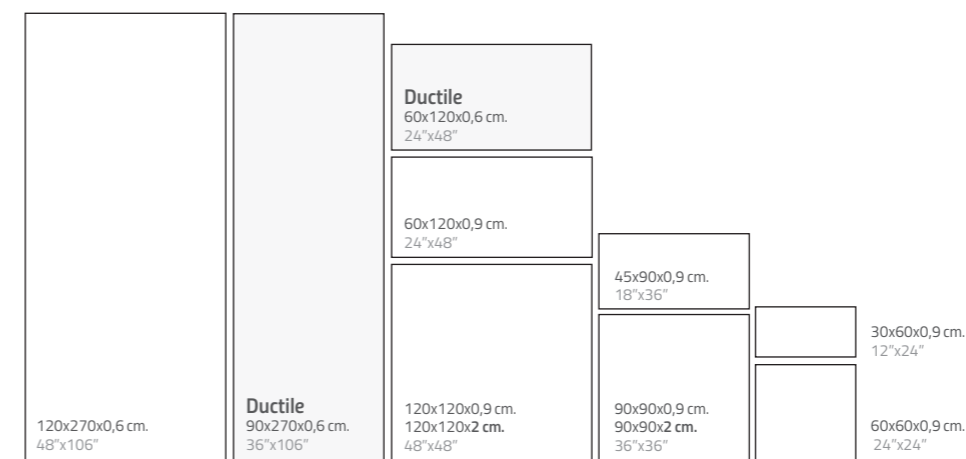


Jura Ice *Jura Light *Jura Classic

*20mm. Thickness Available Colour
*Color Disponible en 20mm.

Available Sizes / Formatos Disponibles

Step Tile & Countertops Availables. Consult Special Pieces Section.
Peldaños y Encimeras disponibles. Consulte la Sección de Piezas Especiales.



Complements / Complementos

 **Mosaic 25**
Net 12"x12"
Malla 30x30 cm.
Real 29,8x29,8 cm.

 **Mosaic 55**
Net 12"x12"
Malla 30x30 cm.
Real 29,8x29,8 cm.

 **Mureto Mosaic**
Net 12"x18"
Malla 30x45 cm.
Real 29,8x29,8 cm.

Ductile Wall Tiles Available Sizes & Finishes / Formatos y Acabados Disponibles en Revestimientos Ductile

Nominal Size Formato Nominal	Real Size Formato Real	Soft Textured	Price Code	Pz/Box	M2/Box	Kg/Box	Box/Pa	M2/Pa	Kg/Pa
Ductile 60x120 cm. 24"x48"	59,8x119,8x0,6 cm.	●	620	3	2,15	25,80	30	64,50	841
Ductile 90x270 cm. 36"x106"	89,8x269,8x0,6 cm.	●	970	1	2,42	29,04	24	58,08	801

Porcelain Tiles Available Sizes & Finishes / Formatos y Acabados Disponibles en Porcelánico

Nominal Size Formato Nominal	Real Size Formato Real	Honed	Soft Textured C2 · R10 · CB	B.Hammered C2 · R10 · CB	B. H. Anti-Slip C3 · R11 · CC	Price Code	Pz/Box	M2/ Box	Kg/Box	Box/Pa	M2/Pa	Kg/Pa
30x60 cm. 12"x24"	29,8x59,8x0,9 cm.	●	●		●	30 / 30H	6	1,07	22,00	48	51,36	1094
60x60 cm. 24"x24"	59,8x59,8x0,9 cm.	●	●		●	60 / 60H	3	1,07	23,22	48	51,36	1094
45x90 cm. 18"x36"	44,8x89,8x0,9 cm.	●	●		●	45 / 45H	3	1,21	25,50	48	58,08	1237
90x90 cm. 36"x36"	89,8x89,8x0,9 cm.	●	●		●	90 / 90H	2	1,61	34,00	30	48,30	1057
*90x90x2 cm. 36"x36"	89,8x89,8x2 cm.				●	94	1	0,81	37,09	30	24,30	1182
60x120 cm. 24"x48"	59,8x119,8x0,9 cm.	●	●		●	62 / 62H	2	1,43	30,32	36	51,48	1099
120x120 cm. 48"x48"	119,8x119,8x0,9 cm.	●	●		●	120 / 120H	1	1,44	30,50	40	57,41	1265
*120x120x2 cm. 48"x48"	119,8x119,8x2 cm.				●	121	1	1,44	66,02	16	22,96	1140
120x270 cm. 48"x106"	119,8x269,8x0,6 cm.	●	●	●		276 / 276H	1	3,23	45,50	24	77,52	1250
Mosaic 25	29,8x29,8x0,9 cm.	●	●		●	25 / 25H	5	0,44	9,00	60	26,40	576
Mosaic 55	29,8x29,8x0,9 cm.	●	●		●	55 / 55H	5	0,44	9,00	60	26,40	576
Mureto Mosaic	29,8x29,8x0,9 cm.	●	●		●	300 / 300H	5	0,44	9,00	40	17,60	395

Ductile Reliefs

Jura is the collection inspired by the Jura stone that now presents two reliefs in ductile. Both with striated reliefs in parallel lines, each with a different intensity. List refers to the finer line relief, which overall has a softened tactile effect. The more intense relief is called Loop and maintains a visual balance thanks to the uniformity of the volumes.



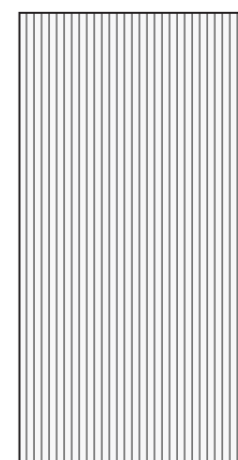
Available Colours:



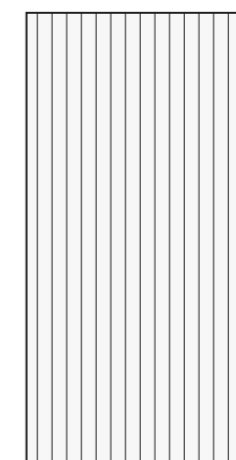
Ductile Reliefs

Ductile Wall Tiles · Revestimientos Ductile

Available Sizes / Formatos Disponibles



LIST
Ductile
60x120x0,9 cm.
24"x48"



LOOP
Ductile
60x120x0,9 cm.
24"x48"

Wall Tiles Available Sizes & Finishes / Formatos y Acabados Disponibles en Revestimientos Cerámicos

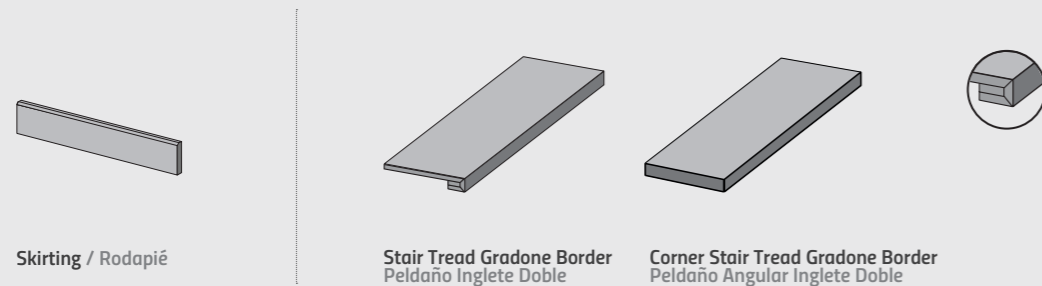
Nominal Size Formato Nominal	Real Size Formato Real	List	Loop	Price Code	Pz/Box	M2/Box	Kg/Box	Box/Pa	M2/Pa	Kg/Pa
Ductile Relief 60x120 cm. 24"x48"	59,8x119,8x0,9 cm.	●	●	620	2	1,43	22,00	36	51,48	824

9&20MM THICKNESS

STANDARD STEP TILES

Standard Step Tiles Specifications Especificaciones De Peldaños Estándar

COLOR BODY PORCELAIN / PORCELÁNICO MASA COLOREADA
RECTIFIED / REINFORCEMENT SIDES / RECTIFICADO / REFUERZO DE CANTOS



Skirting / Rodapié

Stair Tread Gradone Border
Peldaño Inglete Doble

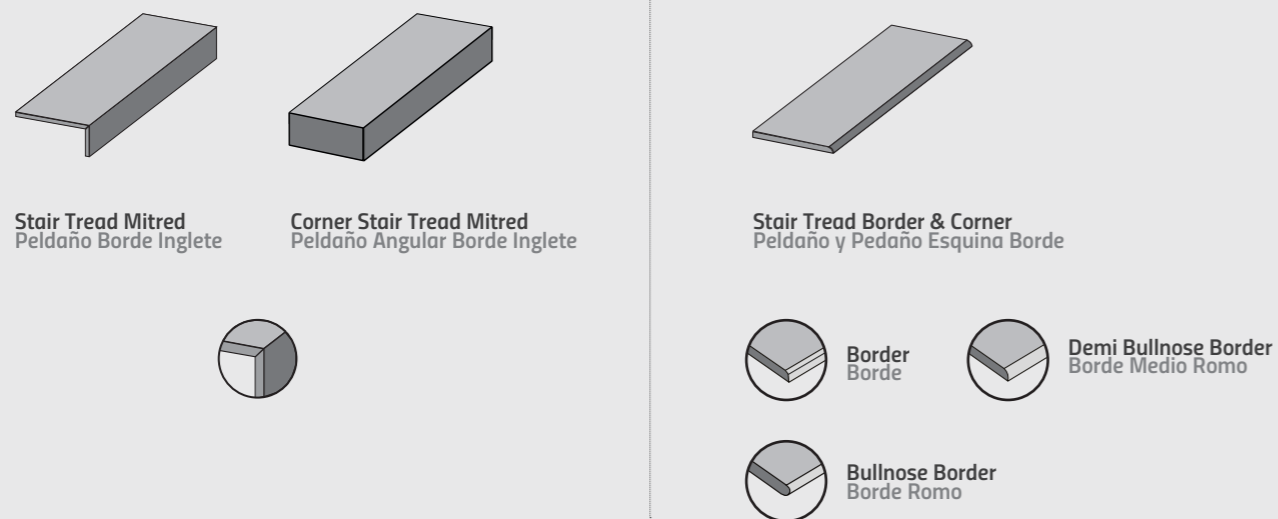
Corner Stair Tread Gradone Border
Peldaño Angular Inglete Doble

Other Special Pieces Otras Piezas Especiales

Our solutions include customized steps from our mass colored porcelain lines. It is a product capable of adjusting to any type of stairs: catalan stair, floating stairs, turning floating stairs. The measurements and data are recorded in a simple form, collecting the necessary information for cutting the steps.

Tailored Step Tiles Specifications. OTHER FINISHES Especificaciones De Peldaños A Medida. OTROS ACABADOS

COLOR BODY PORCELAIN / PORCELÁNICO MASA COLOREADA
RECTIFIED / REINFORCEMENT SIDES / RECTIFICADO / REFUERZO DE CANTOS



Stair Tread Mitred
Peldaño Borde Inglete

Corner Stair Tread Mitred
Peldaño Angular Borde Inglete

Stair Tread Border & Corner
Peldaño y Pedaño Esquina Borde

Border
Borde

Demi Bullnose Border
Borde Medio Romo

Bullnose Border
Borde Romo

POOL SPECIAL PIECES

20MM Pool Grid Example
Ejemplo Rejillas 20MM

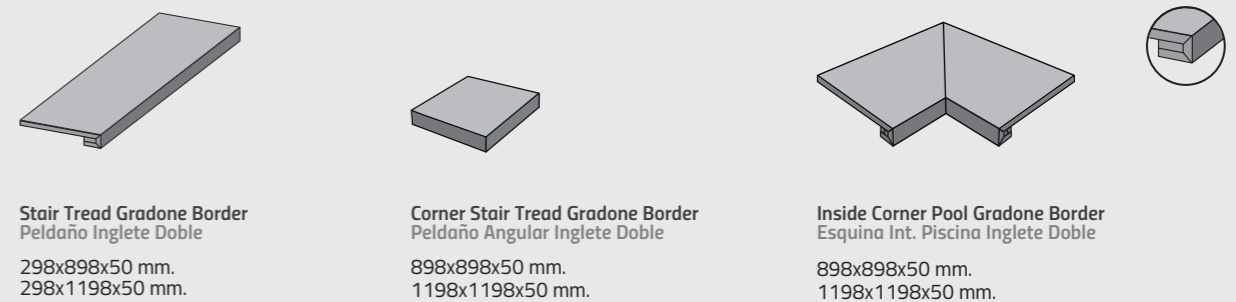


Special Pieces / Pool Grids Piezas Especiales / Rejillas de Piscina

Extra-thick porcelain tiles offer numerous benefits, thanks to their versatility and high resistance. These are properties fully able to meet the tough technical demands and aesthetic requirements of outdoor spaces, public areas, and places subject to high loads or stresses. The tiles can be used in false floor systems, creating raised access flooring that provides easy access to plumbing and electricity networks. They are swift and easy to lay, and the perfect choice for outdoor areas.

20MM Standard Pieces for Pools Piezas Estándar para Piscinas en 20MM

COLOR BODY PORCELAIN / PORCELÁNICO MASA COLOREADA
RECTIFIED / REINFORCEMENT SIDES / RECTIFICADO / REFUERZO DE CANTOS

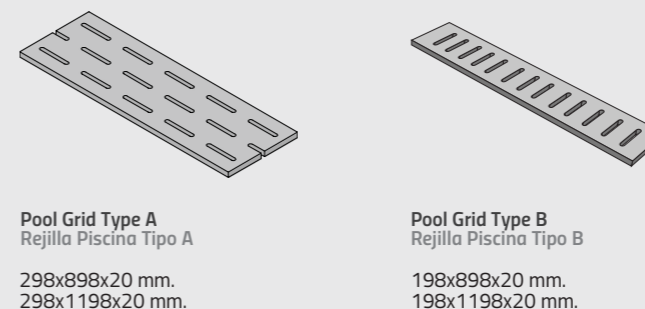


Stair Tread Gradone Border
Peldaño Inglete Doble
298x898x50 mm.
298x1198x50 mm.

Corner Stair Tread Gradone Border
Peldaño Angular Inglete Doble
898x898x50 mm.
1198x1198x50 mm.

Inside Corner Pool Gradone Border
Esquina Int. Piscina Inglete Doble
898x898x50 mm.
1198x1198x50 mm.

Tailored Step Tiles Specifications. OTHER POOL FINISHES Especificaciones De Peldaños A Medida. OTROS ACABADOS PARA PISCINAS



Pool Grid Type A
Rejilla Piscina Tipo A
298x898x20 mm.
298x1198x20 mm.

Pool Grid Type B
Rejilla Piscina Tipo B
198x898x20 mm.
198x1198x20 mm.

Recommendations / Recomendaciones

Concept Tiles recommends consulting the norms that regulate the placement of ceramic tiles. It is essential, before any installation, to carefully read the **UNE 138002 and UNE 12004** standard, and to attend to the specified in order to achieve a correct placement of the ceramic tile. We indicate below, a summary of the most important points to take into account:

Installation Recommendations / Recomendaciones De Instalación

- 1 CONFORMITY OF TONE AND CALIBER OF THE MATERIAL.
VERIFICAR EL DESTONIFICADO DEL MATERIAL.
- 2 MAKE SURE THAT THE AREA TO CLAD IS CLEAN AND DRY.
ASEGURAR QUE LA ZONA A REVESTIR ESTÁ LIMPIA Y SECA.
- 3 CEMENT-BASED ADHESIVE SHOULD BE USED FOR EACH TYPE OF PRODUCT; PORCELAIN COLOR BODY OR WHITE BODY.
UTILIZAR EL ADHESIVO DE CLASE CEMENTO COLA SEGÚN TIPOLOGÍA DE PRODUCTO; PORCELÁNICO MASA COLOREADA O PASTA BLANCA.
- 4 THE AREA TO CLAD MUST BE UNIFORMLY LEVELED. THE USE OF LEVELING SYSTEMS IS MANDATORY FOR A PERFECT INSTALLATION.
EL USO DE SISTEMAS DE NIVELACIÓN ES OBLIGATORIO PARA UNA PERFECTA COLOCACIÓN. LA ZONA A REVESTIR DEBE ESTAR PERFECTAMENTE NIVELADA.
- 5 A 2 MM MINIMUM JOINT IS RECOMMENDED TO PLACE THE PIECES CORRECTLY.
SE RECOMIENDA UNA JUNTA MÍNIMA DE 2 MM PARA LA COLOCACIÓN ENTRE PIEZAS.
- 6 THE RECTANGULAR FORMATS CANNOT BE PLACED UNITED TO ANY MORE THAN 1/4 OF THE PIECE.
LOS FORMATOS RECTANGULARES NO SE PUEDEN COLOCAR TRABADOS A MÁS DE 1/4 DE LA PIEZA.

THE SLAB INSTALLATION REQUIRES THE USE OF TOOLS AND SPECIFIC TRAINING BY THE INSTALLER. IN ADDITION TO THE ABOVE, THESE ARE SOME OF THE RECOMMENDATIONS TO TAKE INTO ACCOUNT IN THE INSTALLATION OF LARGE TILE FORMATS:

R



CUTTING DETAIL WITH GUIDE ON SLAB
DETALLE DE CORTE CON GUÍA SOBRE PLANCHA



THE TILES' DUCTILE PROPERTIES MAKE THEM EASY TO CUT
LAS PROPIEDADES ESPECIALES DE DUCTILE LO HACEN MÁS FÁCIL DE CORTAR

- 7 THE DOUBLE BONDING TECHNIQUE MUST ALWAYS BE USED.
SE HA DE EMPLEAR SIEMPRE LA TÉCNICA DEL DOBLE ENCOLADO.

**THE DOUBLE BONDING TECHNIQUE MUST ALWAYS BE USED.
SE HA DE EMPLEAR SIEMPRE LA TÉCNICA DEL DOBLE ENCOLADO.**

- 8 THIS MATERIAL REQUIRES THE USE OF C2 CLASS ADHESIVES (BICOMPONENT TYPE S2).
ES RECOMENDABLE EL USO DE ADHESIVOS CLASE C2 ALTAMENTE FLEXIBLES (BICOMPONENTES TIPO S2).

- 9 THE APPEARANCE OF AIR POCKETS BETWEEN TILE AND SUBSTRATE SHOULD BE AVOIDED BY THE SYSTEMATIC KNOCKING OF THE TILE WITH A RUBBER TROWEL. THIS WILL AVOID TENSIONS AND BREAKS AFTER THE MATERIAL HAS BEEN SET.
SE DEBERÁ EVITAR LA APARICIÓN DE BOLSAS DE AIRE ENTRE BALDOSA Y SUSTRATO MEDIANTE EL GOLPEADO SISTEMÁTICO DE LA CERÁMICA CON UNA LLANA DE GOMA. ESTO EVITARÁ TENSIONES Y ROTURAS TRAS EL FRAGUADO DEL MATERIAL.

- 10 THE USE OF SPECIFIC TOOLS FOR INSTALLING CERAMIC TILES IS MANDATORY. CONSULT YOUR TRUSTED SUPPLIER TO RECEIVE INSTRUCTIONS ON THE CORRECT HANDLING OF THESE TOOLS AND THEIR NEEDS.
ES INDISPENSABLE UTILIZAR HERRAMIENTAS ESPECÍFICAS PARA EL ALICATADO DEL GRAN FORMATO CERÁMICO. CONSULTE CON SU PROVEEDOR DE CONFIANZA PARA RECIBIR INTRUCCIONES DEL CORRECTO MANEJO DE ESTAS HERRAMIENTAS Y SUS NECESIDADES.

Play Video / Reproducir Video



BIG SLAB INSTALLATION
INSTALACIÓN DEL GRAN FORMATO

Cleaning & Maintenance / Limpieza & Mantenimiento

Once placed and grout cleaning equipment is mandatory. Improper cleaning may leave traces of products used in the placement or the protection of the tiles, as cements, resins epoxilicas, grout, waxes or fats. For optimal cleaning after placement for cases of intense and stubborn dirt accumulated over time, and for maintenance, required to use the right products. The following table shows some of the recommendations.

FILACLEANER	MAINTENANCE IN GENERAL. MANTENIMIENTO EN GENERAL.
FILACR10	WASTE EPOXY, VITRIFIED OR RESIN BOARD. RESIDUOS DE JUNTA EPOXI, JUNTA VITRIFICADA O JUNTA RESINOSA.
DETERDEK	WASTE CONCRETE PLACEMENT, LIMESCALE, METALS STRIPES, OXIDE DEPOSITS. RESIDUOS DE CEMENTO DE COLOCACIÓN, RESIDUOS CALCÁREOS, RAYAS METALES, DEPOSITOS DE ÓXIDO.
FILASOLV	CANDLE WAX, TREE RESINS, TAPE RESIDUE, TAR RESIDUE. CERA DE VELAS, RESINA DE ÁRBOL, RESIDUOS DE CINTA ADHESIVA, RESIDUOS ALQUITRÁN.
FILANOPAINT STAR	PAINTED GRAFFITI, SPRAY ACRYLIC, ALKYD AND SYNTHETIC NITROS. PINTADAS DE GRAFITIS, SPRAY ACRÍLICOS, ALQUÍDICOS Y NITROS SINTÉTICOS.
FILAPSB7	DRINKS, FOOD, FATS, OILS, RUBBER, DYES, MARKER, ACRYLIC PAINT DROPS. BEBIDAS, COMIDAS, GRASAS, ACEITES, GOMA, TINTES, ROTULADOR, GOTAS DE PINTURA PLÁSTICA.