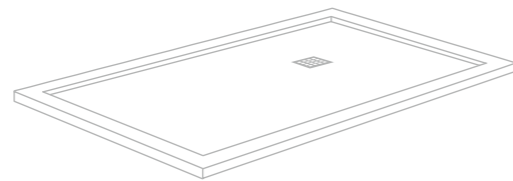


CAPRI

SOFT

◎ SOLID



SHOWER TRAYS

PLATEAUX DE DOUCHE | PIATTI DOCCIA | PLATOS DE DUCHA



CAPRI

SOFT

INFORMACIÓN TÉCNICA

TECHNICAL INFORMATION | INFORMATION TECHNIQUE | INFORAMAZIONE TECNICHE

Acabados |

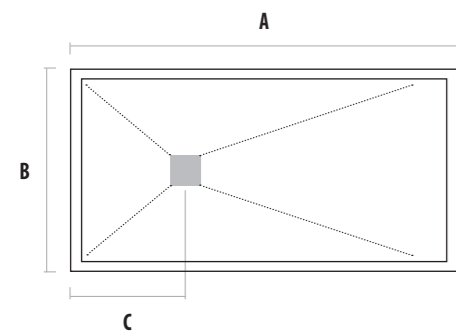
Finishing | Finition | Finitura: SOFT

Color |

Color | Couleur | Colori: CLASSIC WHITE

Medidas |

Measures | Mesures | Misure



		A														
		90	100	110	120	130	140	150	160	170	180	190	200	210		
B	70	41	41	41	41	41	41	41	61	61	61	61	61	61	C	
	80	41	41	41	41	41	41	41	61	61	61	61	61	61		
	90	41	41	41	41	41	41	41	61	61	61	61	61	61		
	100	41	41	41	41	41	41	41	61	61	61	61	61	61		

Para medidas superiores a esta tabla, consulten nuestros precios especiales |

For measurements larger than those in this table, check our special prices | Pour mesures supérieurs à ces tableaux, consulter nos prix |

Per misure intermedie, considerare il prezzo della misura superiore.

Plato de ducha incluye: rejilla, embalaje, instrucciones de montaje y válvula sifonica.

Shower tray includes: grid, packaging, assembly instructions and shower tray trap valve.

Le plateau de douche inclut: grille de finition, emballage, instructions de montage et bonde.

Il piatto include: la piletta doccia sifonata, griglia inox, imballo in cartone, istruzioni di montaggio.

OPCIÓN |

OPTION | OPTION | OPZIONE

Rejilla personalizable en blanco o inox |

Customisable white or stainless steel grid | Grille blanche ou en acier inoxydable personnalisable | Griglia personalizzabile bianca o in acciaio inox



ANTISLIP

Antideslizante
Anti-slip
Antidérapant
Antiscivolo

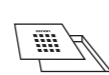


Antibacteriano
Antibacterial
Antibactérien
Antibatterico



3 cm

Espesor
Thickness
Épaisseur
Spessore



Sifón accesible
Accessible siphon
Siphon accessible
Scarico accessibile



Garantía 2 años
Guarantee 2 years
Garantie 2 ans
Garanzia 2 anni



Fácil limpieza
Easy cleaning
Nettoyage facile
Facile pulizia

CAPRI

SOFT



© SOLID